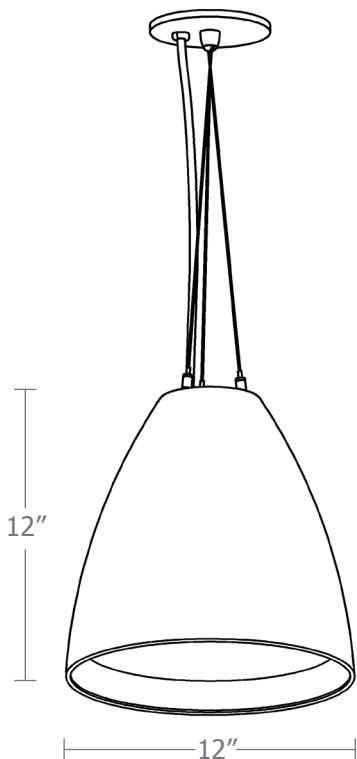


**bul.it™**  
**QSP3312**

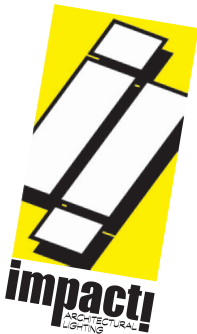


- 12" dia x 12" ht
- 6' adj. suspension
- 3100lm
- 3500K
- silver anodized
- 0-10v dimming to 1%



American Access Insurance | Whitney Architects | James Steinkamp Photography (simulated bul.it installation)

- **10 Business days!**
- **1-10 Fixtures!**
- **Free shipping!**  
ground freight allowed
- **6ft. adj. suspension!**
- **3500K!**
- **Silver anodized finish!**
- **1% Dimming!**



**impactltg.com**

©2018 impact architectural lighting llc